

9.5 AIRFLOW STRAIGHTENERS

Figure 9-10 shows two air flow straighteners used in testing setups to reduce fan swirl before measuring stations. Figure 9-10a is the egg-crate straightener used in AMCA Standard 210; larger cell sizes made proportionally longer could be used.

Figure 9-10b shows the star straightener used in the ISO standard. A single splitter sheet may eliminate swirl in some cases. Straighteners are intended to reduce swirl before or after a fan or a process station. **Do not install straighteners where the air profile is distorted, the device will merely carry the distortion further downstream.**

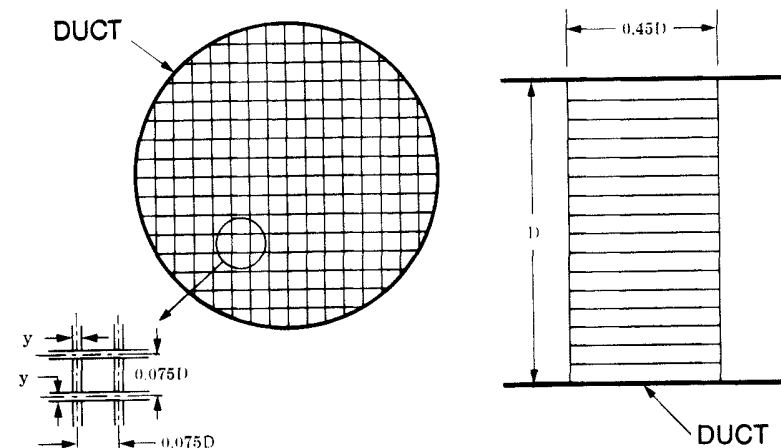


Figure 9-10a AMCA Standard 210 Egg-Crate Straightener

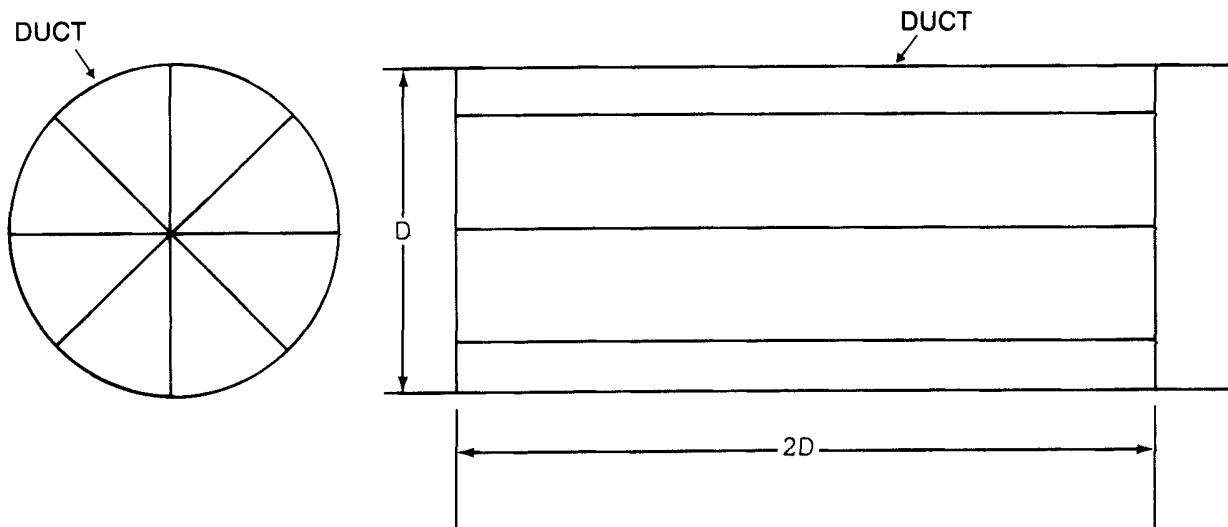


Figure 9-10b ISO Star Straightener

Figure 9-10 Test Standard Airflow Straighteners